

XT Series - Semi-traction batteries with a paste plate

BASIC INFORMATION

MODEL	XT 305
VOLTAGE	6V
CAPACITY	330Ah @ 20Hr
HOUSING MATERIALY	Polypropylene
BATTERY TYPE	Semi-Traction
ELECTROLYTE	With liquid electrolyte



SPECIFICATION

MODEL	TERMINAL	POLARIZATION	DIMENSIONS				WEIGHT
			LENGTH	WIDTH	HEIGHT	WITH TERMINAL	
XT 305	ET	RIGHT +					42,00kg
			296mm	176mm	343mm	366mm	

ELECTRICAL SPECIFICATIONS

CAPACITY WHEN DISCHARGED UP TO 1.75V / CELL AT 25°C		CHARGING VOLTAGE DURING CYCLE OPERATION	CHARGING CURRENT	
5h	20h		RECOMMENDED	MAXIMUM
272Ah	330Ah	25°C 7,50V	33,00A	42,90A

„Do not install or charge the batteries in a sealed compartment.”

„Leaving the batteries discharged or overcharging them will damage the batteries and shorten its service life.”

STORAGE

PERMISSIBLE AMBIENT TEMPERATURE			SELF-DISCHARGE AT 20°C
STORAGE	CHARGE	DISCHARGE	
5°C to +40°C	5°C to +45°C	-10°C to +45°C*	Up to 15% for a month depending on the storage temperature

* „In temperatures below 0°C, maintain the state of charge at least 50%.”

CHARGING STATUS

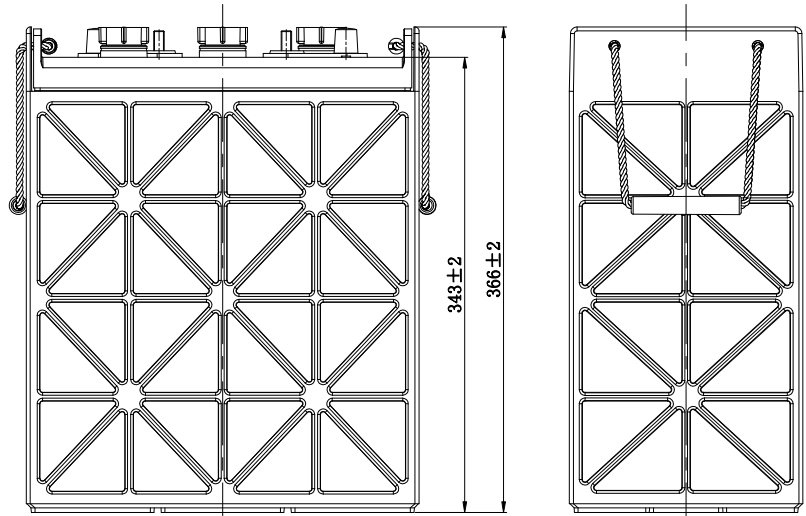
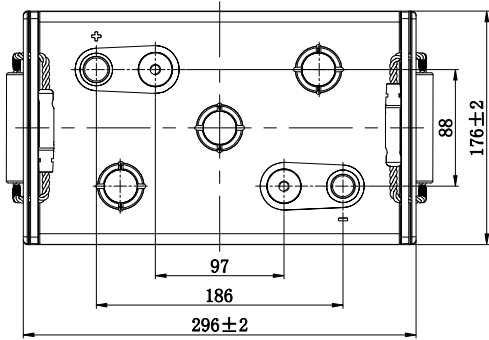
CHARGE PERCENTAGE	CELL	6 V
100	2,22	6,66
75	2,12	6,36
50	2,07	6,21
25	2,02	6,06
0	1,95	5,85

APPLICATIONS

- wheelchair
- scissor lifts
- golf carts
- cleaning machines
- boats
- photovoltaic systems
- mobile devices
- devices powered by an electric motor
- devices with high cycle of work

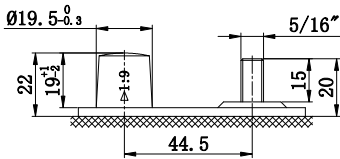
XT Series - Semi-traction batteries with a paste plate

DIMENSIONS

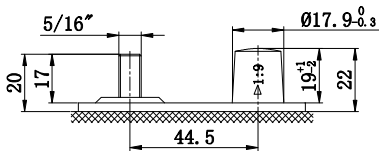


TERMINAL TYPE

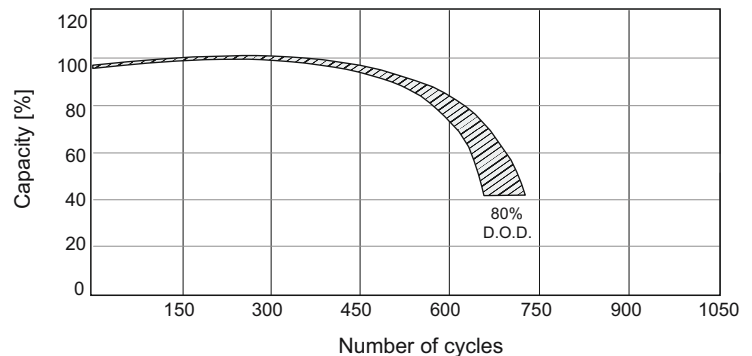
POS



NEG



CYCLICAL LIFE



SAFETY



RECYKLING



ENVIRONMENT INFORMATION

EXPLOITED BATTERIES ARE CONSIDERED AS HAZARDOUS WASTE. THESE WASTES DUE TO THEIR ORIGIN, CHEMICAL COMPOSITION (THEY CONTAINS HEAVY METALS LIKE LEAD AND OTHER TOXIC SUBSTANCES) AND OTHER FEATURES MAY BE DANGEROUS FOR ENVIRONMENT AND HUMAN OR ANIMAL HEALTH LIFE. ACCORDING TO THE WASTE ACT, WASTE IN THE FORM OF BATTERIES AND ACCUMULATORS SHOULD BE COLLECTED SEPARATELY FROM OTHER TYPES OF WASTE.

IN ORDER TO OBTAIN MORE DETAILED INFORMATION, WE ENCOURAGE YOU TO CONTACT US, WE PROVIDE ANY INFORMATION ON HOW TO HANDLE WITH WASTE BATTERIES AND ACCUMULATORS.